

EXHAUST BLOWER

CLASS B

MaxMotion

Applications:

This exhaust blower is generally used to inflate air curtain.

Features:

Rated power: AC 110-120V 60Hz

Motor performance data: AC 115V/60Hz

Rotation: CW viewed from air inlet

Insulation: B level

Temperature Protection: 135°C

Motor withstand voltage test: AC 1800V-2mA-1Sec

Noise: No abnormal noise

Housing: black

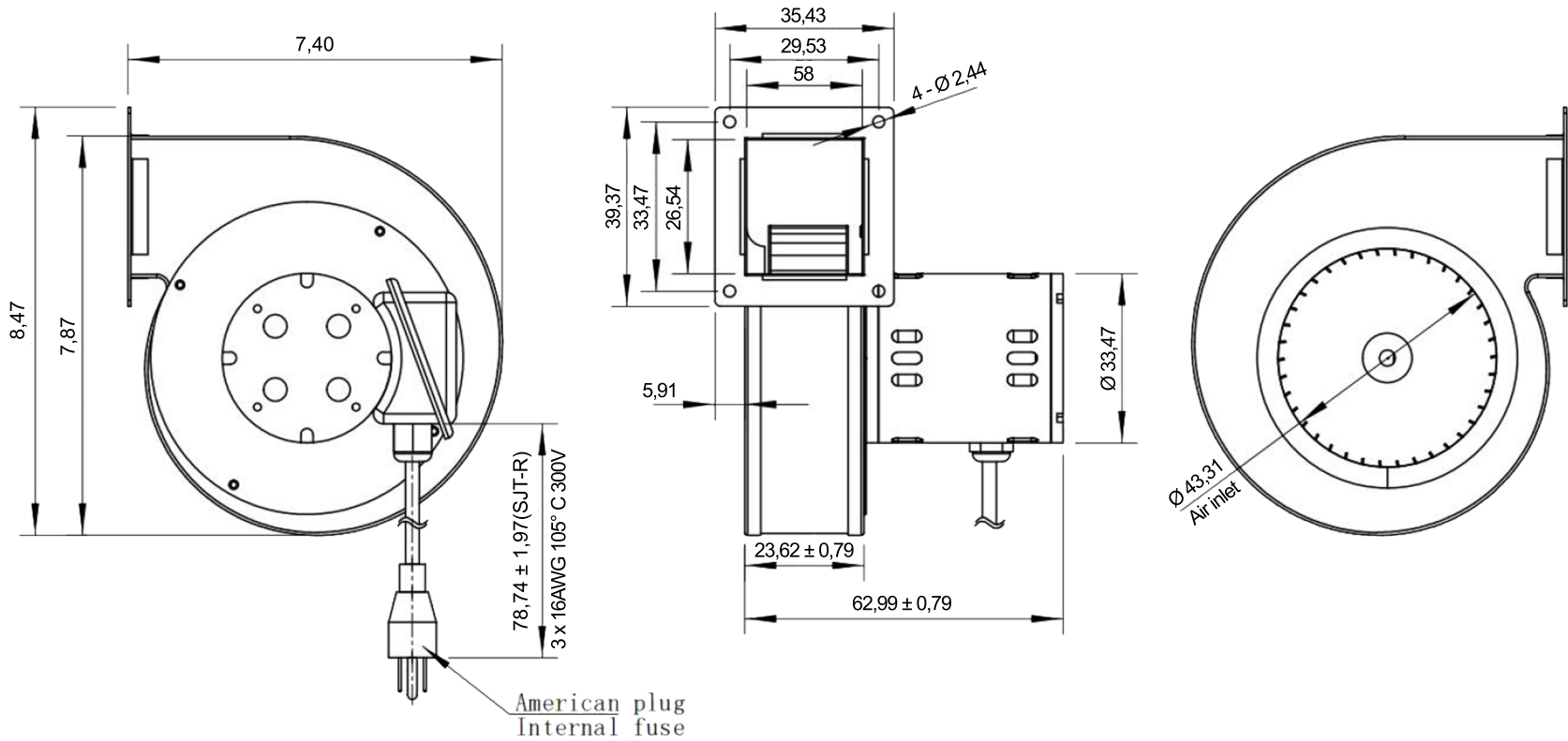


100% CANADIAN OWNED



All dimensions are in inches

MaxMotion



Version:2MEI	Revised: April 2024	Current(A)	Power(W)	Speed(RPM)	Wind Speed (M/S)	Air Volume (CFM)	MAX-BL165
Customer is responsible in determining that MaxMotion product will fit/perform		1.5±15%	160±15%	2400±15%	>24	≥170	